

E360a

CHEMICAL STOCKPILE DISPOSAL PROGRAM REVISED IMPLEMENTATION SCHEDULES (AUG 89)

JACADS (Johnston Atoll Chemical Agent Disposal System)

CYTF (Chemical Demilitarization Training Facility)

TEAD (Tooele Army Depot)

PBA (Pine Bluff Arsenal)

UMDA (Umatilla Depot Activity)

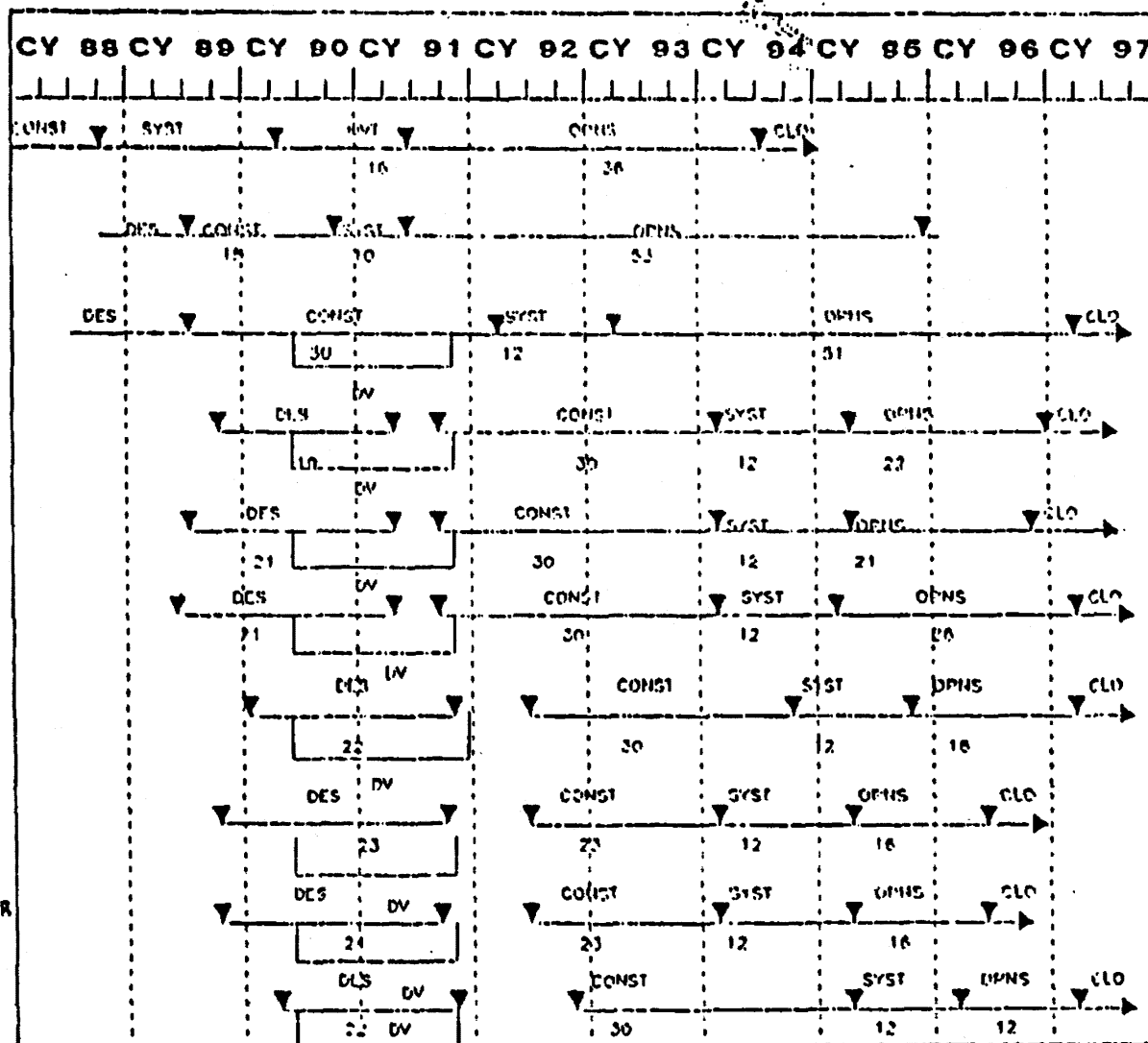
ANAD (Anniston Army Depot)

PUDA (Pueblo Depot Activity)

NAAP (Newport Army Ammunition Plant)

APQ (Aberdeen Proving Ground)

LEAD (Lexington-Bloggs Army Depot)



DES = design DV = design verification SYST = systemization CONST = construction OPNS = operations CLO = closure